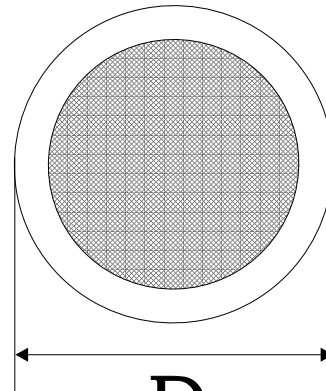


NEODYM. TWEETER

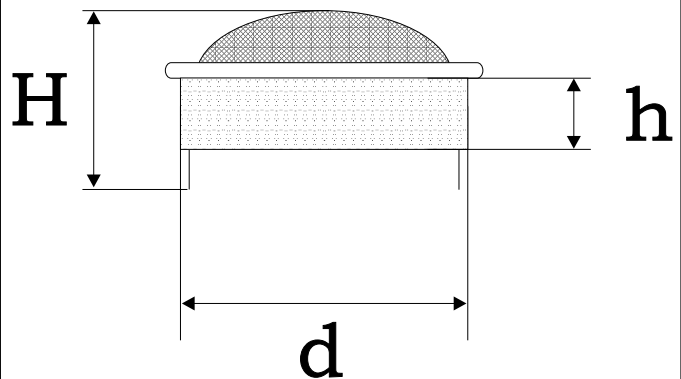
- * New improved fabric diaphragm incorporating silk. The light-weight coating of the diaphragm contributes in itself to the damping effect.
- * Bulged face plate using a highly specialized design. Together with the new diaphragm it offers a good compromise between a flat on-axis and a good off-axis response.
- * Ferrofluid with a low viscosity and high, long-term stability which minimizes the mechanical damping in the motor.
- * Very compact construction.
- * Neodymium magnet.
- * Prepared for customized front.

Frequency range	2.5 - 20 KHz
Equivalent volume, Vas	0.002 L
Compliance, Cms	0.031 mm/N
Mechanical resistance, Rms	1.1 Ns/m
Effective diaphragm/cone area, Sd	7.1 cm ²
Voice coil diameter	25 mm
Voice coil height	1.6 mm
Air gap height	2 mm
Nominal impedance	6 ohm
Voice coil resistance	4.6 ohm
Voice coil inductance [10KHz]	0.0396 mH
Free air resonance, Fs	1750 Hz
Sensitivity, Spl (1W,1m)/(2.83V,1m)	90/91 dB
Force factor, Bxl	2.5 Tm
Moving mass, Md	0.27 g
Qms	2.70
Qes	2.19
Qts	1.21
Nominal power*	40 W
Short term max power*	160 W
Long term max power*	80 W
Magnet weight	11 g
Total weight of driver	70 g

TSW neo 27 Silver



D



D = 48 mm H = 29 mm
d = 43 mm h = 14 mm

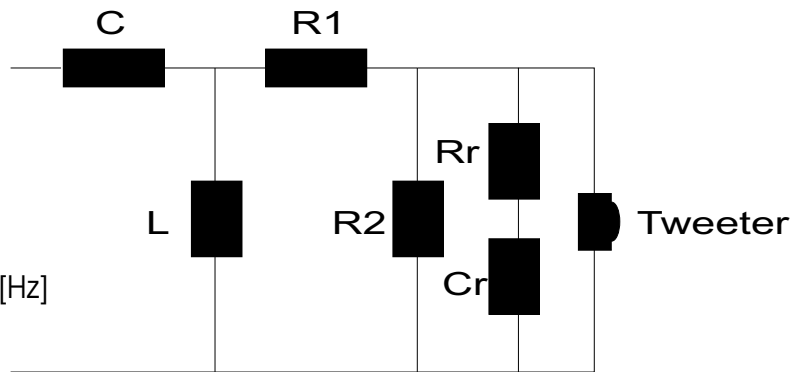


TWEETER

TSW neo 27 Silver

LEGENDA

- C = condensatore [uF]
- L = induttore [mH]
- R = resistore [ohm]
- Fc = frequenza di taglio [Hz]



Crossover 12dB/oct. Butterworth			Attenuatore			Rifasatore
Fc=3000	C=8.2	L= 0.35	1dB	R1=0.47	R2=37.7	Rr =4.7
Fc=3500	C=6.8	L= 0.3	2dB	R1=1	R2=17.2	Cr =2.2
Fc=4000	C= 5.6	L= 0.25	3dB	R1=1.33	R2=12	
Fc=5000	C= 4.7	L= 0.2	4dB	R1=1.72	R2=7.8	
Fc=6000	C= 4	L= 0.18	5dB	R1=2	R2=5.6	
Fc=7000	C= 3.3	L= 0.15	6dB	R1=2.2	R2=4.7	
Fc=8000	C= 3	L= 0.13	7dB	R1=2.5	R2=3.3	